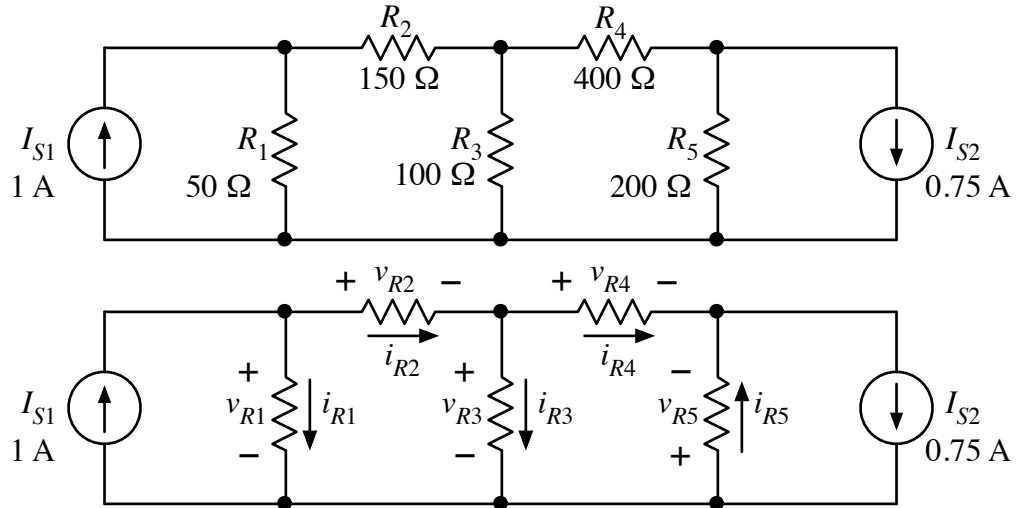


In the circuit shown, it is known that the current source I_{S1} is generating 37.5 W of power and source I_{S2} is generating 75 W. (Note that both are generating — neither is absorbing power.) Calculate the voltage across each resistor and the corresponding power dissipation for each.



$v_{R1} =$ _____ ; $P_{R1} =$ _____

$v_{R2} =$ _____ ; $P_{R2} =$ _____

$v_{R3} =$ _____ ; $P_{R3} =$ _____

$v_{R4} =$ _____ ; $P_{R4} =$ _____

$v_{R5} =$ _____ ; $P_{R5} =$ _____