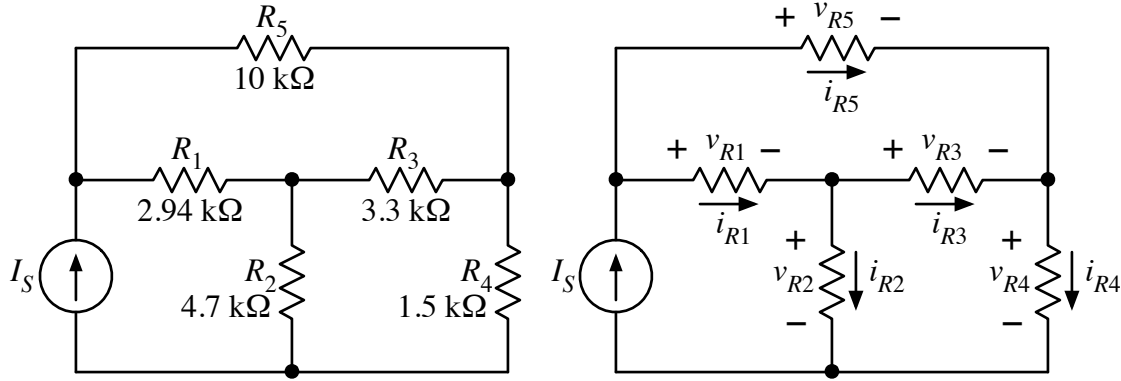


In the circuit shown, use KCL, KVL, and Ohm's law to determine the value of  $I_S$  so that the current through  $R_4$  is 3 mA and the voltage across  $R_3$  is 4.9 V, with the voltages and currents defined at right. How much power will be generated by the source?



$I_S =$  \_\_\_\_\_ ;  $P_{IS} =$  \_\_\_\_\_