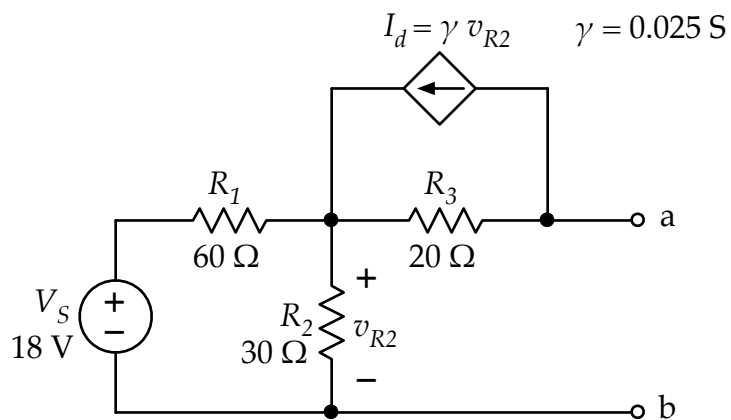


Find the Norton equivalent of the circuit with respect to terminals a and b , as shown below



$I_N =$ _____ $R_N =$ _____