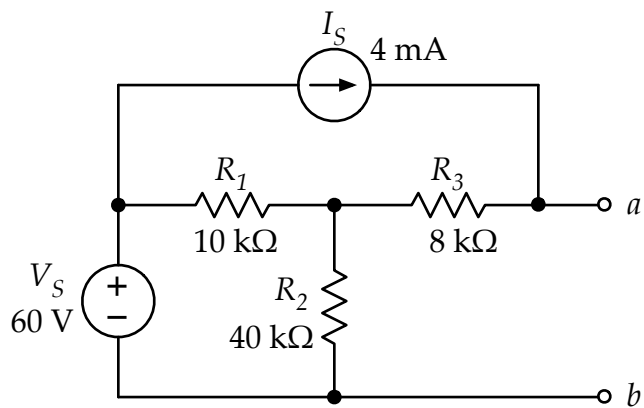


Find the Thevenin equivalent of the circuit with respect to terminals a and b , as shown below.



$V_{Th} =$ _____

$R_{Th} =$ _____