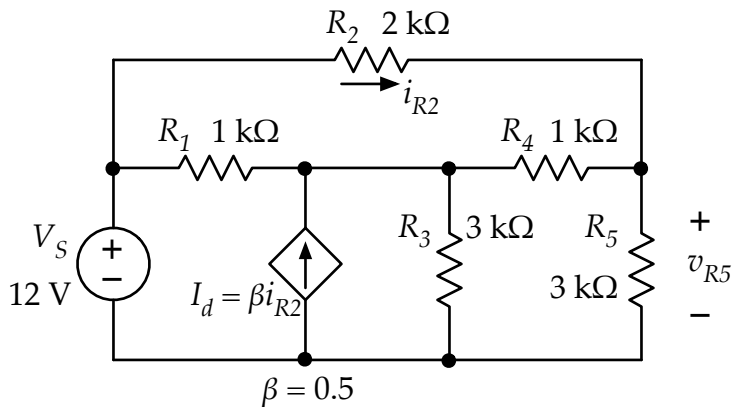


For the circuit below, find  $v_{R5}$ . Give some thought to which analysis method you choose to use.



$v_{R5} =$  \_\_\_\_\_