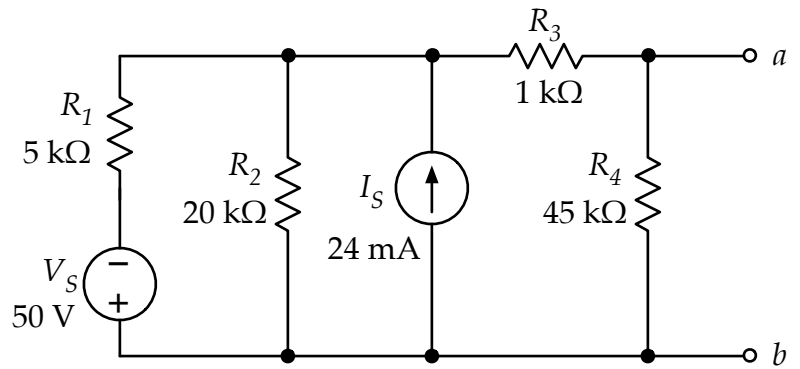


A voltmeter with a resistance of $85.5 \text{ k}\Omega$ (What a lousy voltmeter!) is used to measure the voltage v_{ab} in the circuit shown at right. What is the reading on the voltmeter?



$v_{VM} =$ _____