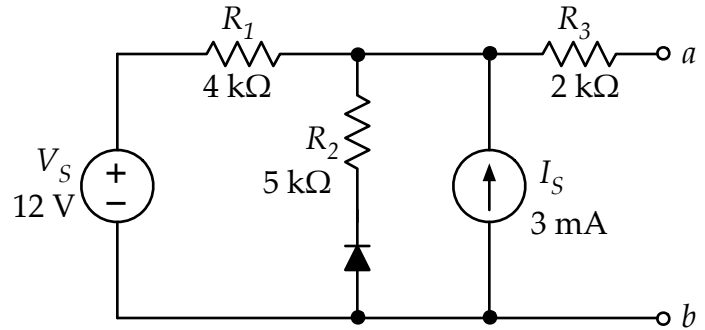


For the circuit at right, find the Thevenin equivalent with respect to the terminals a and b . Use the on-off model of the diode – be sure to check and confirm the mode of operation



(Note: We know that the Thevenin theorem does not work when non-linear devices, like diodes, are present. However, we are modeling the behavior of the diodes with *linear* approximations – either a 0.7-V diode drop or an open circuit – so the Thevenin equivalent will be OK, within the limits of the approximation.)