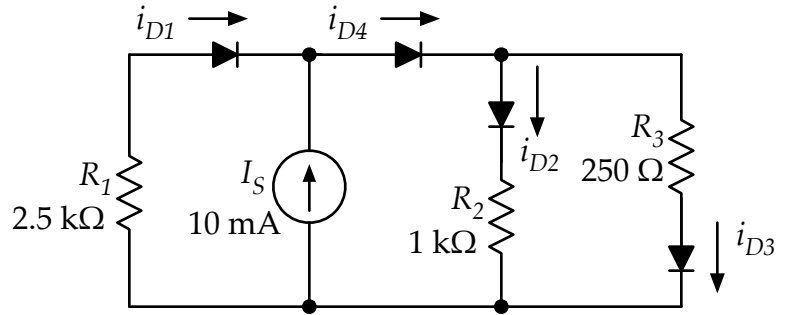


Find the current flowing in each of the diodes in the circuit at right. Use the on/off model for the diodes



$i_{R1} =$ _____ $i_{R2} =$ _____

$i_{R3} =$ _____ $i_{R4} =$ _____