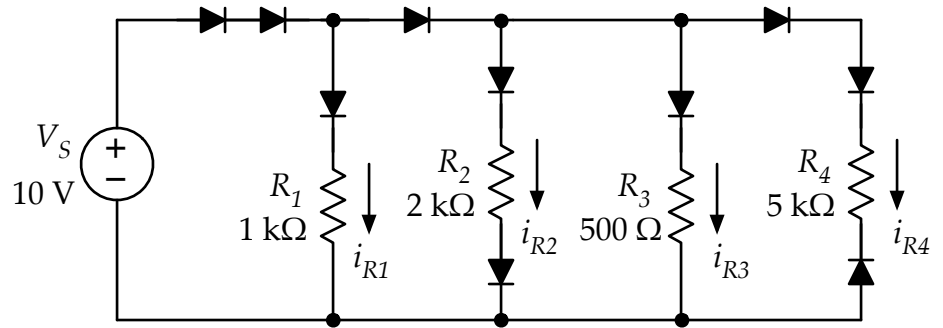


Find the current flowing in each of the resistors in the circuit at right. Use the on/off model for the diodes.



$i_{R1} =$ _____

$i_{R2} =$ _____

$i_{R3} =$ _____

$i_{R4} =$ _____

Repeat for $V_S = 2.5$ V.

$i_{R1} =$ _____

$i_{R2} =$ _____

$i_{R3} =$ _____

$i_{R4} =$ _____