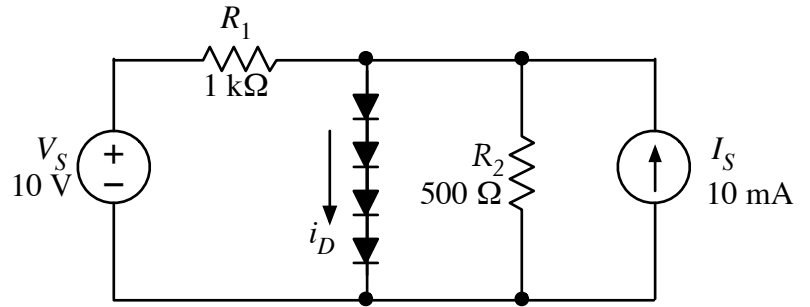


Find the current flowing through the string of diodes. Use the on/off model for the diodes



$i_D =$  \_\_\_\_\_

Repeat for  $V_S = 1.5 \text{ V}$  and  $I_S = 10 \text{ mA}$ .

$i_D =$  \_\_\_\_\_

Repeat for  $V_S = 5 \text{ V}$  and  $I_S = -10 \text{ mA}$ . (i.e. The direction of  $I_S$  is reversed.)

$i_D =$  \_\_\_\_\_