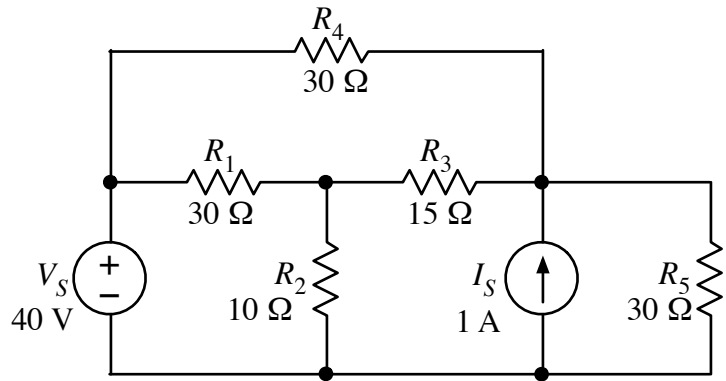


Use the node-voltage method to calculate the powers dissipated in each resistor and the power generated (or absorbed) by the sources.



$P_{V_S} =$ _____

$P_{I_S} =$ _____

$P_{R_1} =$ _____; $P_{R_2} =$ _____; $P_{R_3} =$ _____

$P_{R_4} =$ _____; $P_{R_5} =$ _____