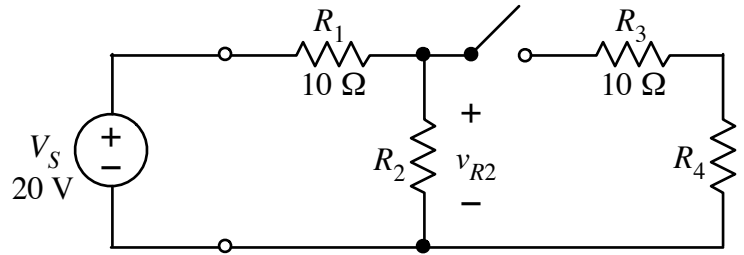
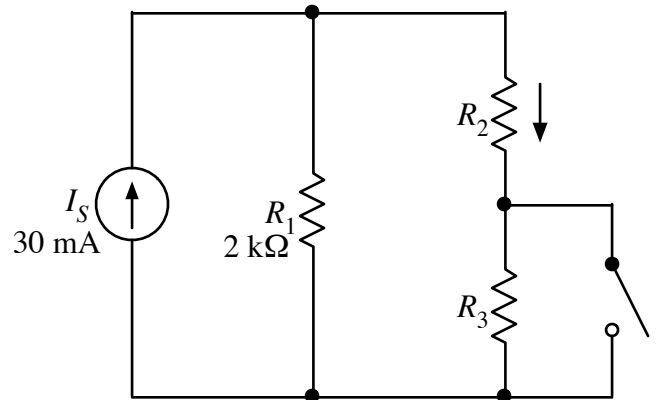


- a. For the circuit shown at right, when the switch is open (R_3 and R_4 disconnected), $v_{R2} = 15$ V. When the switch is closed (R_3 and R_4 are connected), $v_{R2} = 12$ V. Determine the values for R_2 and R_4 . Note: Using voltage divider techniques is probably an effective way to work this problem.



$R_2 =$ _____ ; $R_4 =$ _____

- b. For the circuit shown at right, when the switch is closed (R_3 shorted), $i_{R2} = 20$ mA. When the switch is open (R_3 not shorted), $i_{R2} = 10$ mA. Determine the values for R_2 and R_3 . Note: Using current divider techniques is probably an effective way to work this problem.



$R_2 =$ _____

$R_3 =$ _____