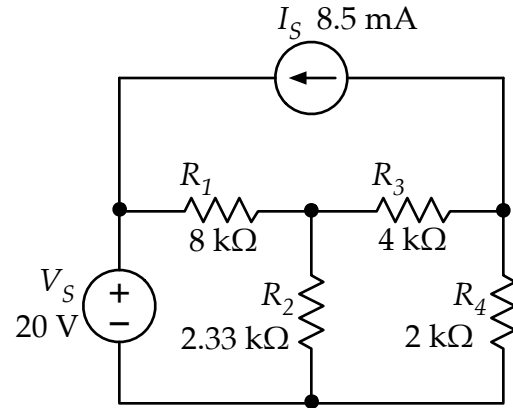


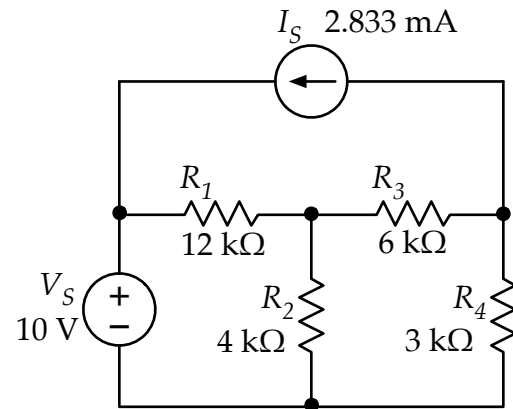
- a. Use the node-voltage method to find the power dissipated in resistor R_4 .

$P_{R4} =$ _____



- b. Use the mesh-current method to find the power dissipated in resistor R_4 .

$P_{R4} =$ _____



- c. Use the superposition method to find the power dissipated in resistor R_4 . (Be careful. Note the comments about superposition and power.)

$P_{R4} =$ _____

