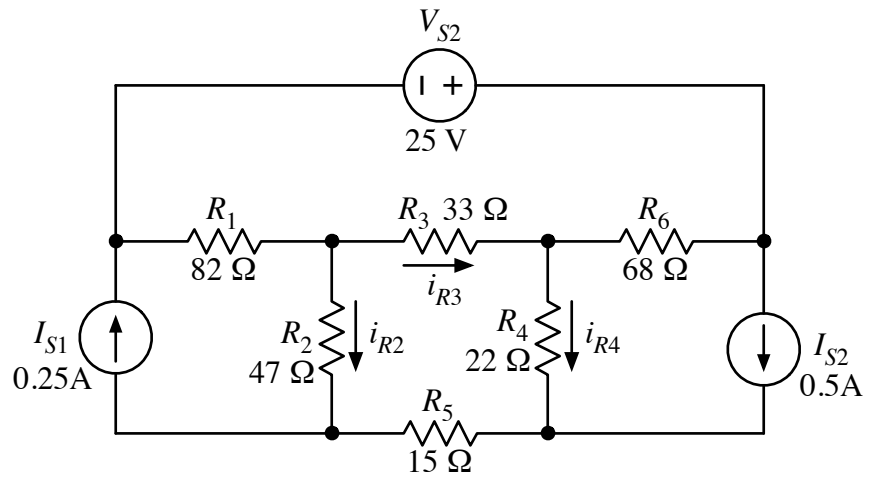


Use the mesh-current method to calculate the currents flowing in resistors R_2 , R_3 , and R_4 .



$i_{R2} =$ _____ $i_{R3} =$ _____ $i_{R4} =$ _____