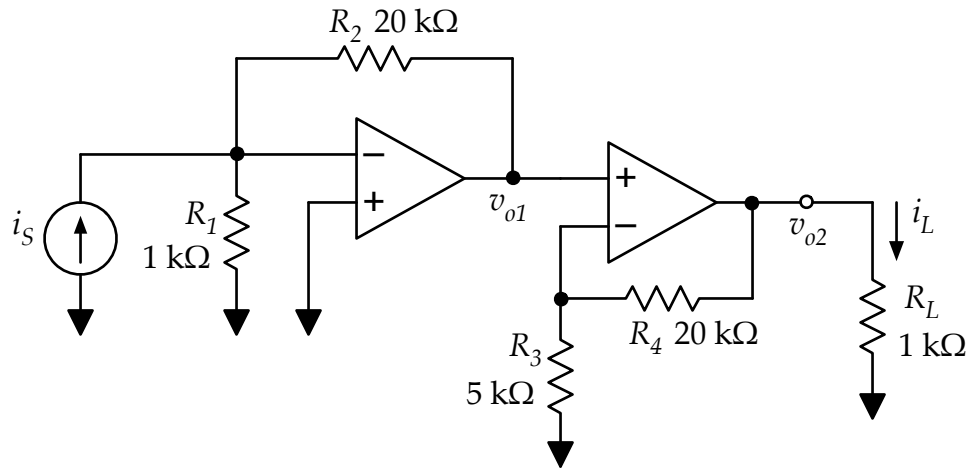


For the cascaded amplifier circuit below, calculate the *current gain*,  $G_I = i_L/i_s$ . Assume that the op-amps are ideal.



$G_I =$  \_\_\_\_\_