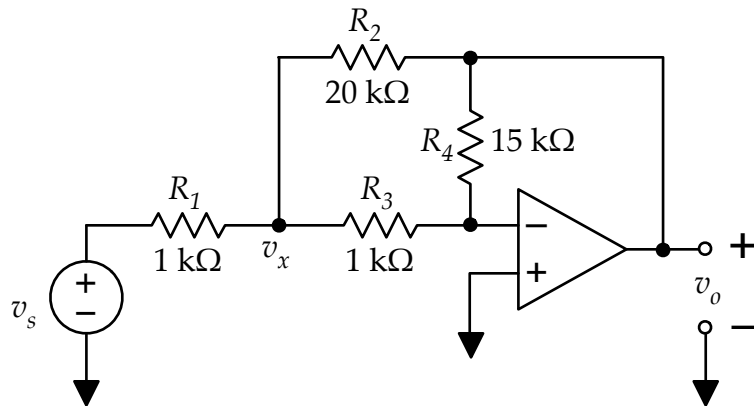


For the circuit shown, calculate the gain,
 $G = v_o/v_s$. Assume that the op amp is ideal.



$G =$ _____