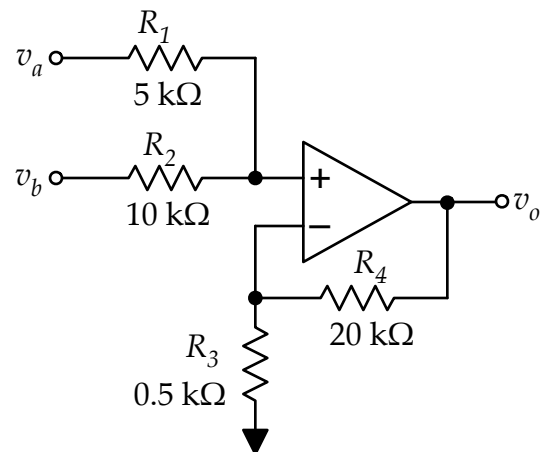


For the circuit shown, calculate the output v_o as a function of the inputs v_a and v_b . Assume that the op amp is ideal.



$v_o =$ _____