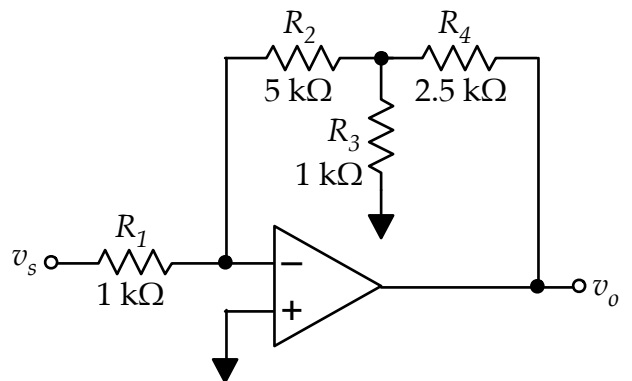


Calculate the gain for the inverting-type circuit shown at right.



$$G = v_o/v_s = \underline{\hspace{10em}}$$