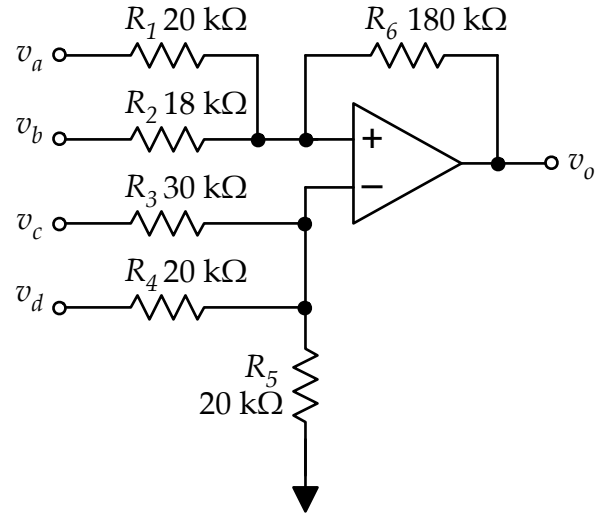


The circuit at right might be called an “adder-subtractor”.
 Find an expression for the output voltage, v_o , in terms of the
 4 input voltages, v_a , v_b , v_c , and v_d .



$v_o =$ _____